

MBPCX 20 T4 0,12kW Zone 2: FAN (Ex h IIB T4 Gc) + MOTOR (Ex db IIC T4 Gb) (502302039XD)

GENERAL DATA



PLASTIC ATEX FAN WITH FORWARD IMPELLER

MANUFACTURING FEATURES

- Housing made of PP-el plastic (for models size 35 and equal to or greater than size 45) other models PE-el casing
- Forward curved impeller in PP plastic.
- Motor support made of rolled steel sheet with polyester powder finishing coat.
- Stainless steel nuts and bolts.
- Standard asynchronous squirrel-cage motor, IP-55, class F insulation. Standard voltages 230/400V 50Hz for three phase motors up to 4kW and 400/690V 50Hz for higher powers. Equipped with ATEX motors

- Available positions (to be indicated in case of order): LG270, LG0, LG45, LG90, LG135, LG180, LG225, LG315, RD0, RD45, RD90, RD135, RD180, RD225, RD270, RD315.
- The indicated codes correspond to the model in position LG270

APPLICATIONS

Designed for inline installation, they are suitable for:

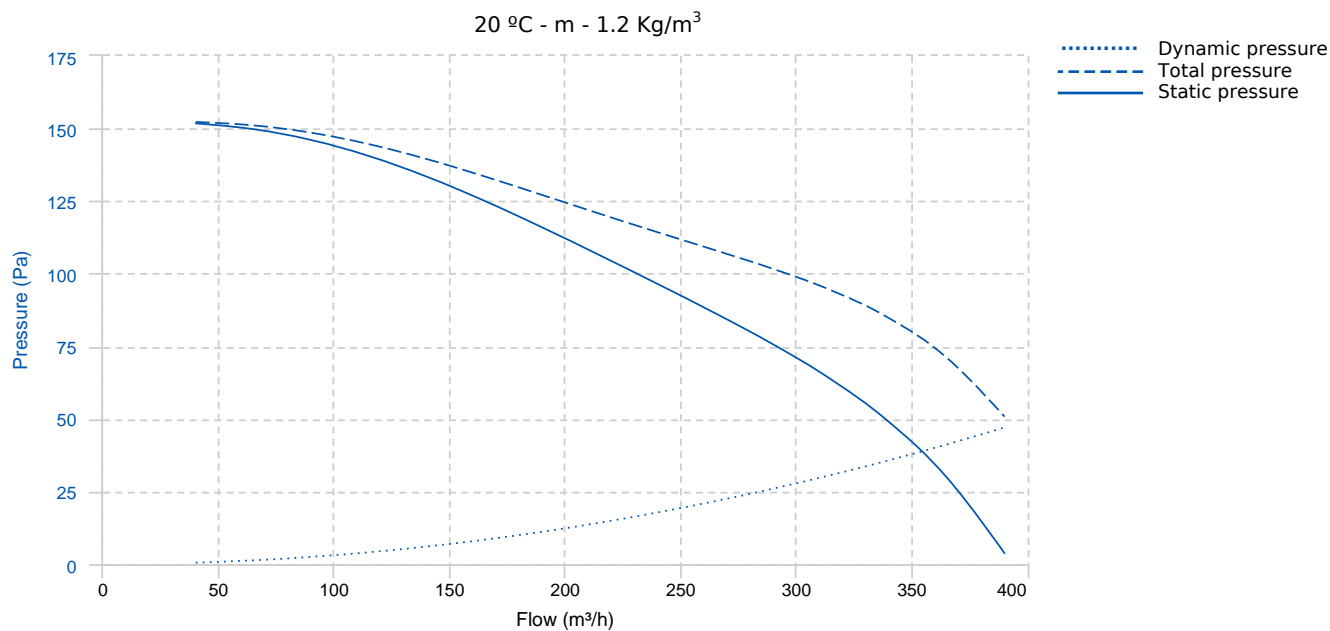
- Corrosive air transport.
- Chemical and petrochemical industry.
- Laboratories and gas cabinets.
- General ventilation in closed environments classified as ATEX zone 2.
- Maximum temperature of transported air: If it is clean air 70°C, other depends on the gas (see table in documentation)

UNDER REQUEST

- 60Hz fans and special voltages fans.
- Stainless steel motor support.

In compliance with the ATEX Directive 2014/34/UE. Certified ATEX IIIG with certified ATEX motor for areas 2 (gas)

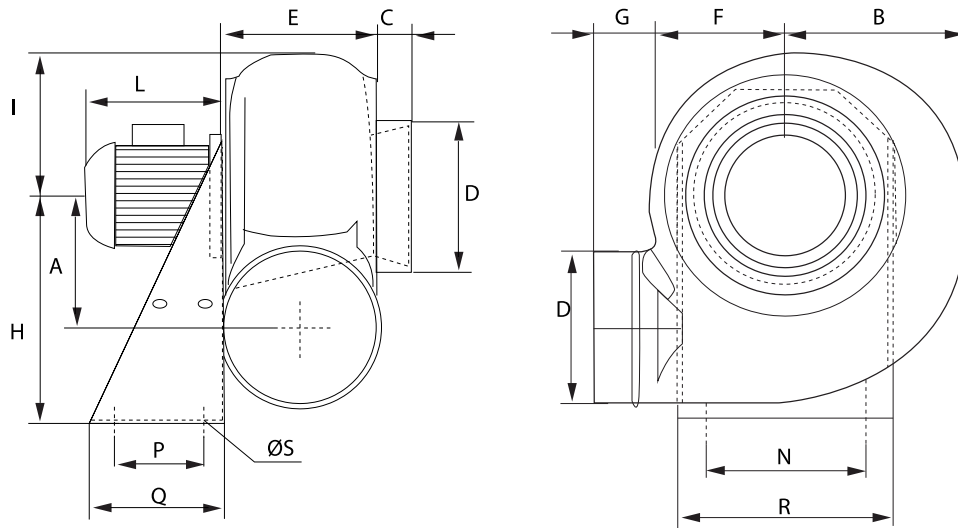
PERFORMANCE CURVE



TECHNICAL DATA

Fan							
RPM	1420	Approx. weight	17 kg	Max. Flow	390 m³/h		
Motor							
Power	0,12 kW	RPM	1420	I max. (400V)	0,71 A	Size	63
Approx. weight	4 kg	Efficiency (%)	56 %	FP	0.7		

DIMENSIONS

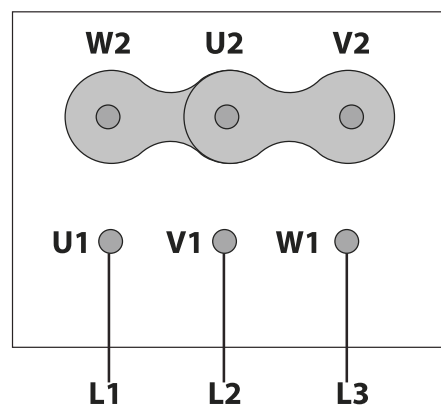
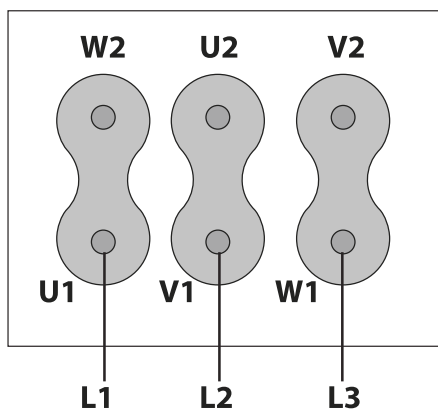


Dimensions (mm)									
A	142	B	187	C	40	DØ	125	E	120
F	150	G	60	H	250	I	165	L	190
N	200	P	100	Q	140	R	235	ØS	11

WIRING DIAGRAM

230V

400V



ACCESSORIES



ANTI-VIBRATING FLANGE 400°/2H
BA-400 10/12
REF: 960002068



ANTI-VIBRATION JOINT
JE 45
REF: A-300719201



ATEX SWITCH
INT 16 ATEX
REF: 510200016X



PVC FLEXIBLE JOINT
FJ Ø125
REF: FJ-125



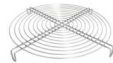
DIFUSOR GRID
DG Ø125
REF: DG125



CIRCULAR GRAVITY DAMPER
CSC Ø125
REF: CSC125



DRAIN PLUG
PD 1
REF: PD1



STAINLESS STEEL PROTECTION GRID
RPI Ø125
REF: RPI125



WALL SUPPORT
WS 1
REF: WS1



ANTI-VIBRATION BLOCK
AV 1
REF: AV-1



FREQUENCY SPEED CONTROLLER
SFC 230 I 2,5A *
REF: SFC230I003



FREQUENCY SPEED CONTROLLER
SFC 400 III 1,2A *
REF: SFC400III1

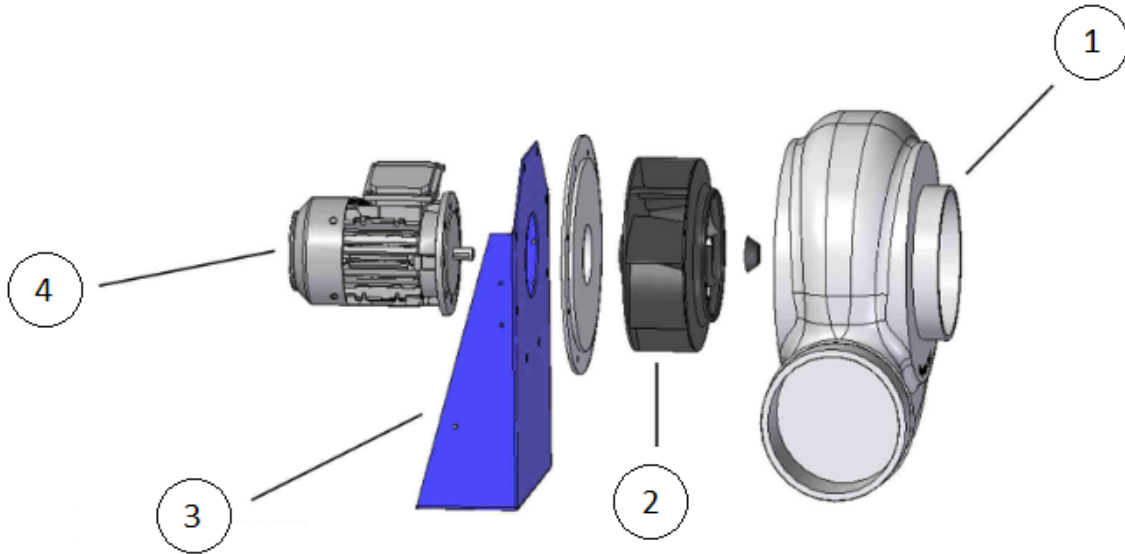


ANTI-VIBRATION RUBBER BLOCK
AVR (GENERIC)



ANTI-VIBRATION SPRING BLOCK
AVS (GENERIC)

SPARE PARTS



	Code	Model	Qty
1	T03102039	IMPELLER MBPCX 20 T4 0,12 kW LG	x1